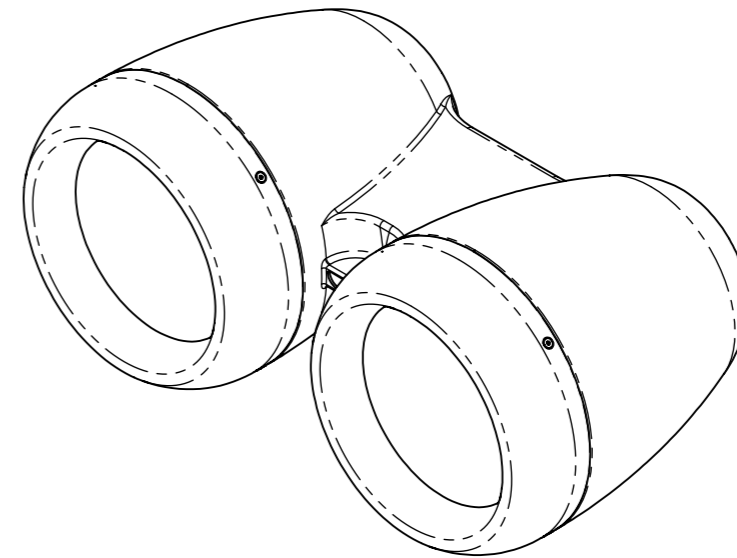
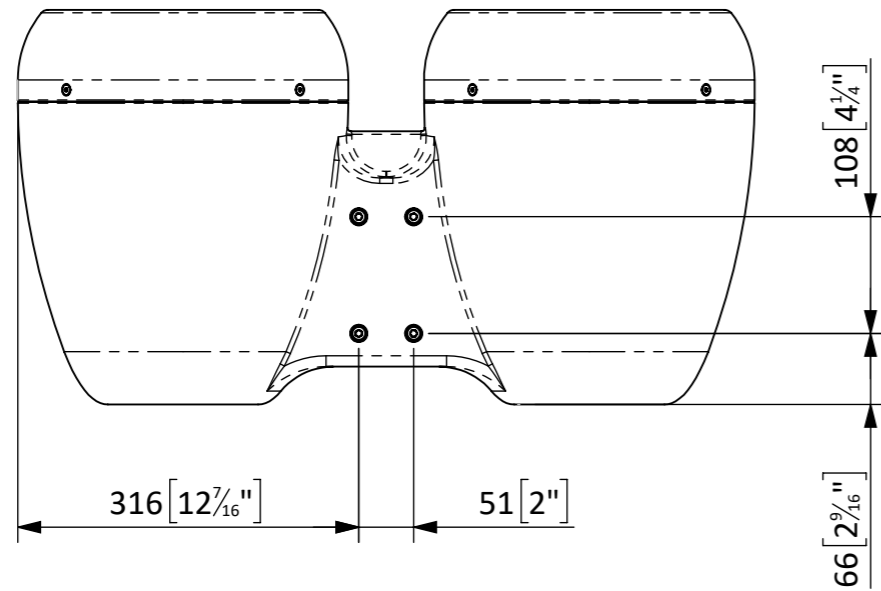
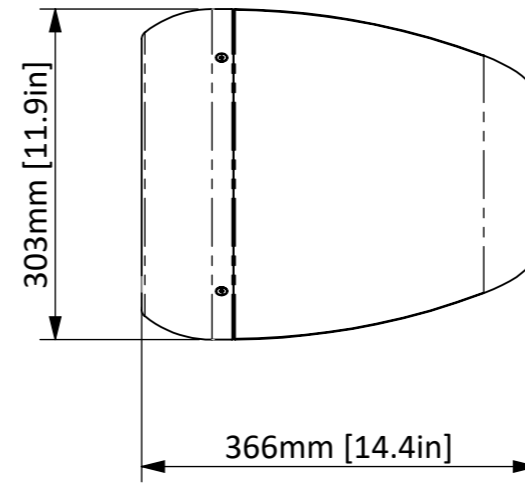
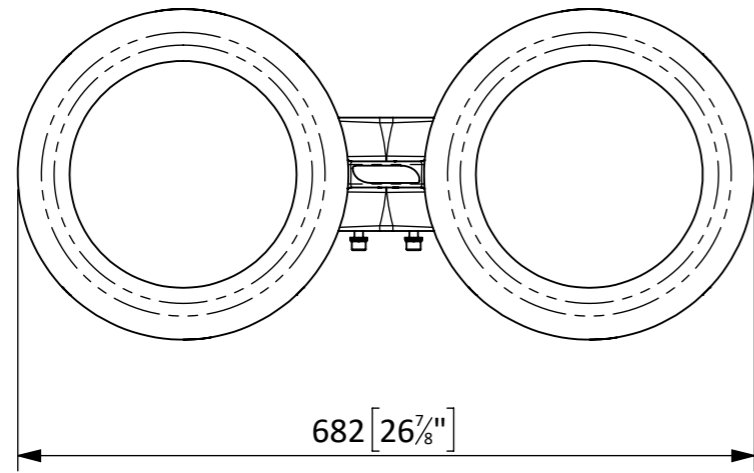


IF IN DOUBT ASK

| ISSUE | DATE | DRAWN | ECR No | CHECKED | APPROVED |
|-------|------------|-------|----------|---------|----------|
| 1 | 06/10/2020 | JB | C10017-1 | DR | AS |



| DIMENSIONS IN MILLIMETRES | | | |
|---|----------|---|------------|
| FABRICATION <small>UNLESS OTHERWISE STATED</small> | | MACHINING <small>UNLESS OTHERWISE STATED</small> | |
| UP TO 300mm | +/-0.2mm | 0, mm | +/- 0.2 mm |
| 300mm-500mm | +/-0.5mm | 0,0 mm | +/- 0.2 mm |
| 500mm - 1m | +/-1.0mm | 0,00mm | +/- 0.1mm |
| 1m - 5m | +/-2.0mm | 0,000mm | +/- 0.01mm |
| ANGULAR | ±1° | ANGULAR | ±0,5° |

| | |
|-------------------------------------|-----------------------------------|
| TITLE: PRODUCT DIMENSIONS | DRAWING No. SP10079-001 |
| PROJECT: AIRTEN V3 | SAP No. IT2704 |
| MATERIAL: SEE SPEC SHEET | EST. WEIGHT: (Kg) 20 |

| | | |
|---------|---------|----------|
| FINISH: | COLOUR: | TEXTURE: |
|---------|---------|----------|

| | | | |
|--------------------------------------|----------------------|-----------------------|---------------------|
| THIRD ANGLE PROJECTION TO BS 8888 | SCALE: 1:7 | SHT 1 OF 1 SHTS | SHEET: A3 |
|--------------------------------------|----------------------|-----------------------|---------------------|



REPRODUCTION OF ANY PART OF THIS DOCUMENT IS FORBIDDEN WITHOUT
PRIOR PERMISSION FROM VOID ACOUSTICS RESEARCH LTD.
REGISTERED IN ENGLAND & WALES No. 07533536
DESIGN COPYRIGHT RESERVED.
CONFIDENTIAL AND PROPRIETARY INFORMATION OF VOID ACOUSTICS RESEARCH LTD.