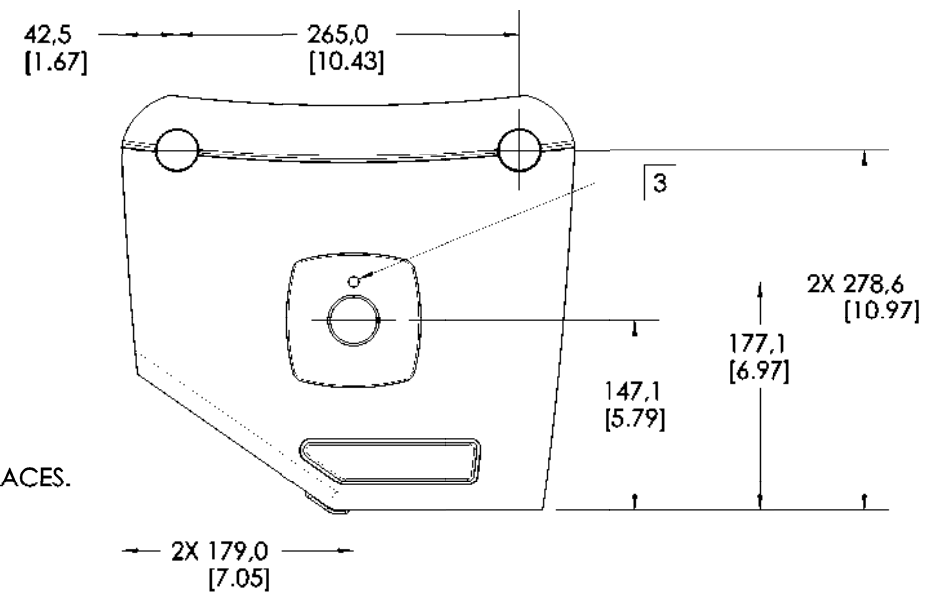
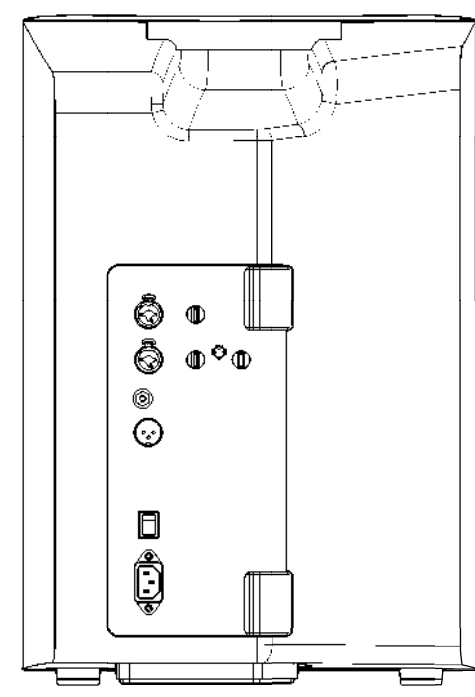
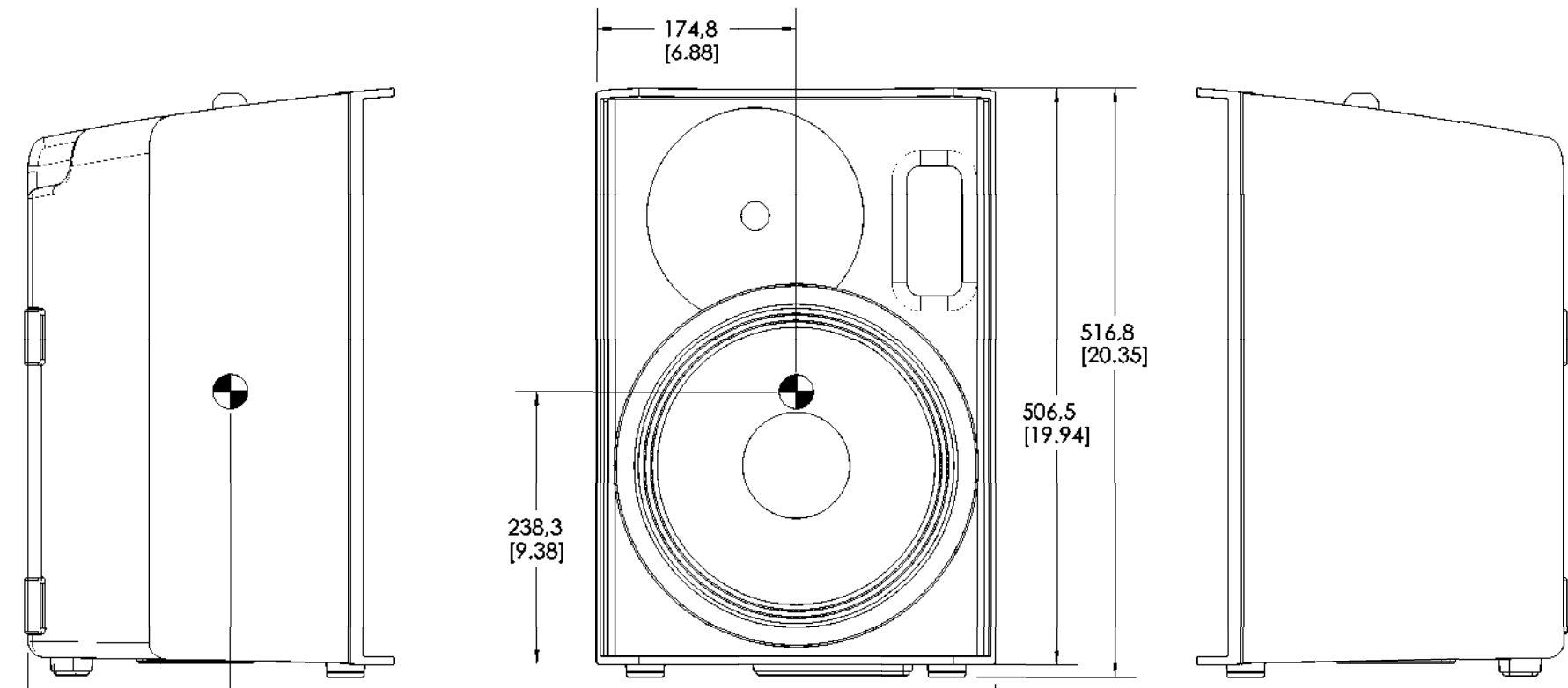
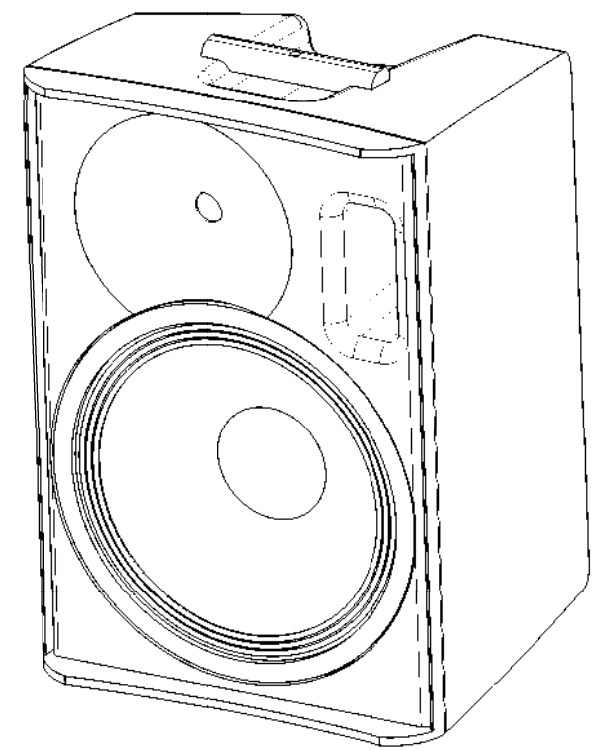
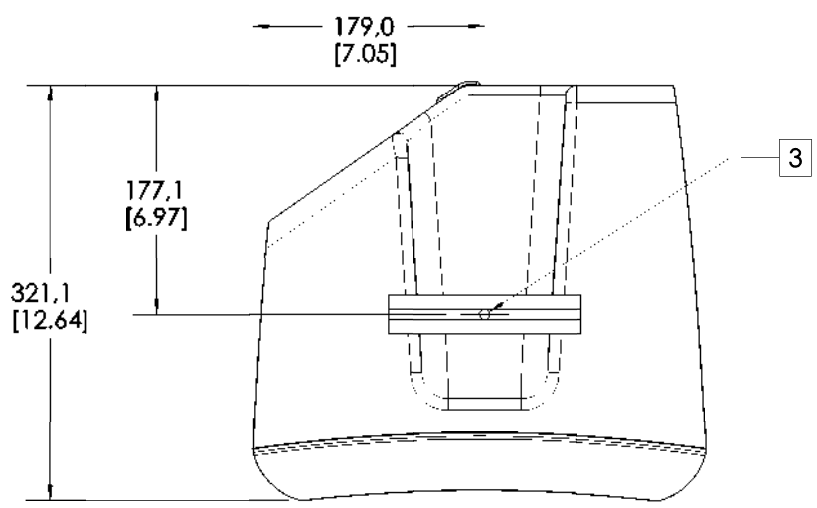


THIS DOCUMENT CONTAINS PROPRIETARY INFORMATION WHICH IS THE PROPERTY OF QSC, LLC. THAT MAY NOT BE DISCLOSED, REPRODUCED OR USED WITHOUT THE EXPRESS WRITTEN CONSENT FROM QSC, LLC.

REVISION		BY	DATE
REV	DESCRIPTION		
A	INITIAL RELEASE	SS	26-SEPT-18
A1	CORRECT CG LOCATION	SS	8-OCT-18



- 6. GRILLE NOT SHOWN FOR CLARITY.
- 5. DIMENSIONS ARE IN MILLIMETERS [INCH].
- 4. SYMBOL INDICATES CENTER OF BALANCE.
- 3 YOKES MOUNT ATTACHMENT POINT, M8 THREAD, 2 PLACES.
- 2. TOLERANCES (MM): X ± 3, ANGLES: ± 1°.
- 1. NET WEIGHT APPROX. 30.3 LBS [13.7 KG].

NOTES: UNLESS OTHERWISE SPECIFIED

UNLESS OTHERWISE SPECIFIED DIMENSIONS ARE IN MM [IN] TOLERANCES ARE: DECIMALS .X ± 3 [.12] ANGLES ± 1°		CAD GENERATED DRAWING DO NOT MANUALLY UPDATE		QSC, LLC 1675 MACARTHUR BOULEVARD COSTA MESA, CA 92626 USA	
MATERIAL N/A		APPROVALS		<b>FINISHED GOOD, LOUDSPEAKER, CP12, 100-240V, BK, 12" 2-WAY</b>	
FINISH N/A		DRAWN BY S. STASIAK			
DO NOT SCALE DRAWING		MECH ENGINEER T. AMUNSDON			
PROJECTION SYMBOL		TECH DIRECTOR R. VAUCHER			
		MFG ENGINEER C. YOMOYIDA		SIZE B CAGE CODE 00PW4 DWG. NO. FG-901168-2D SCALE: 1:6 CAD FILE: FG-901168-2D.A1.1	REV A1 SHEET: 1 OF 1