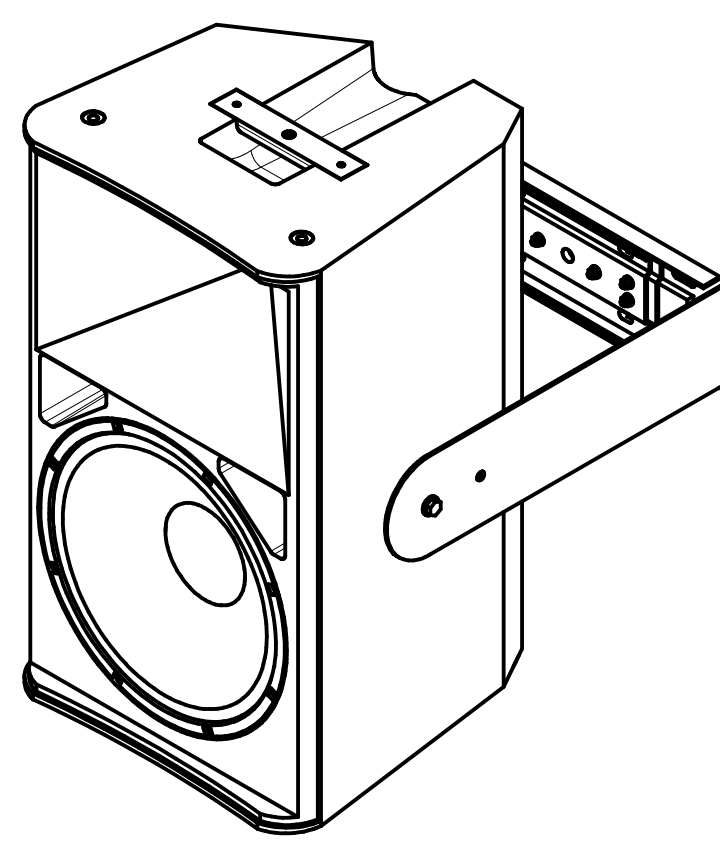
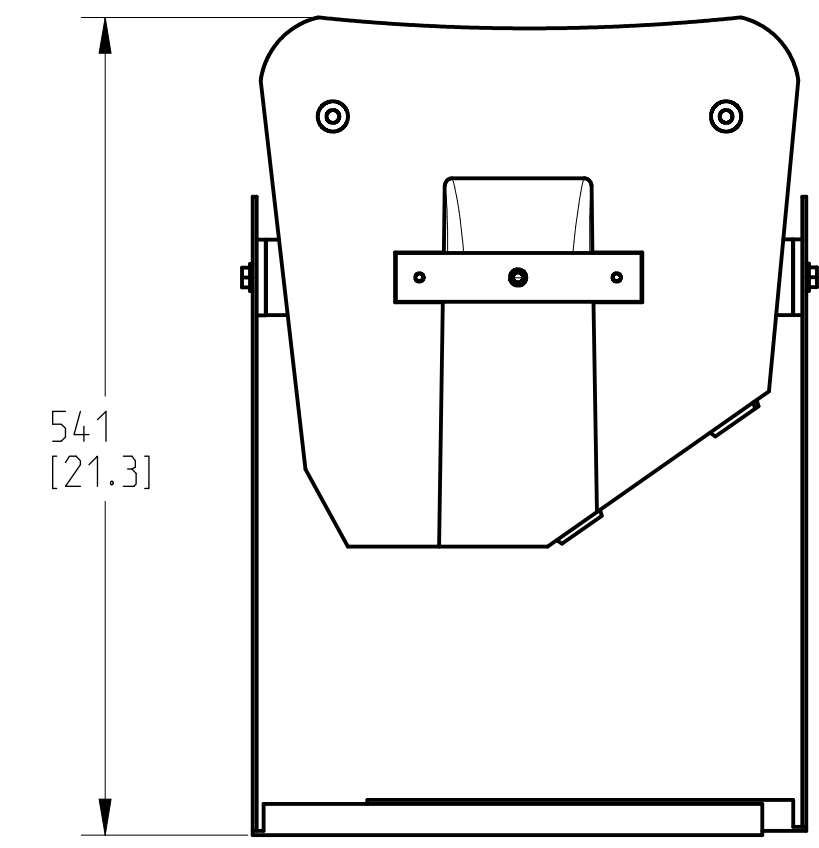
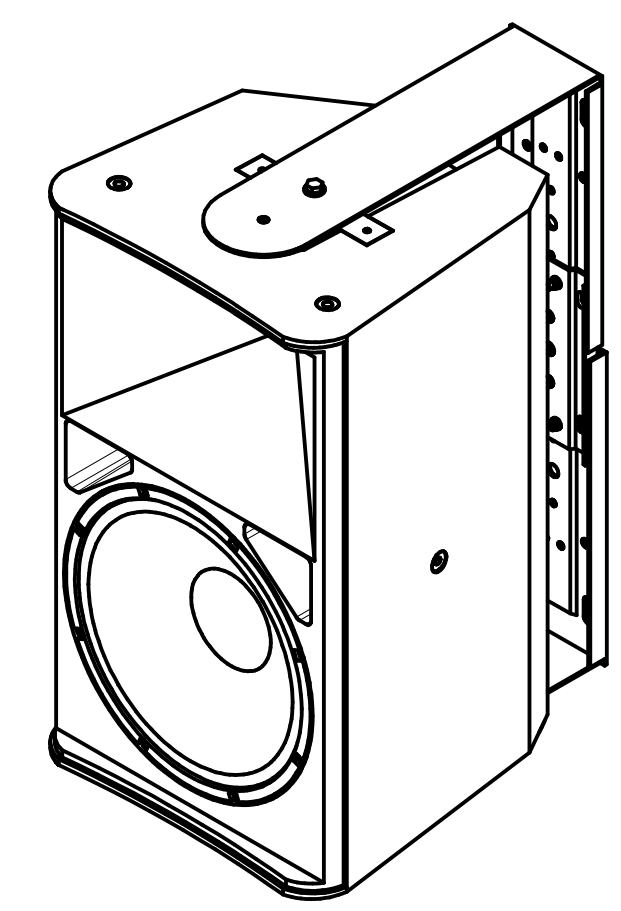
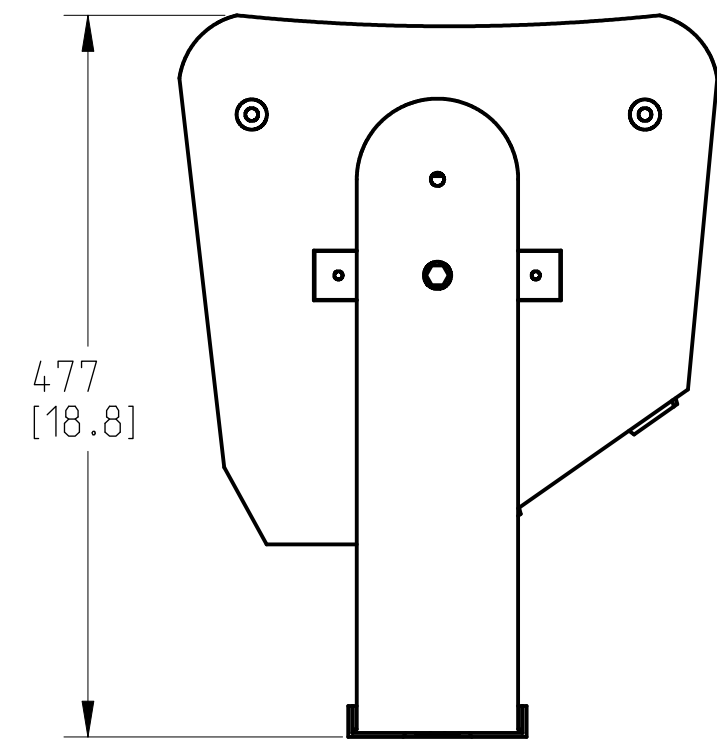


THIS DOCUMENT CONTAINS PROPRIETARY INFORMATION WHICH IS THE PROPERTY OF QSC, LLC. THAT MAY NOT BE DISCLOSED, REPRODUCED OR USED WITHOUT EXPRESS WRITTEN CONSENT FROM QSC, LLC.

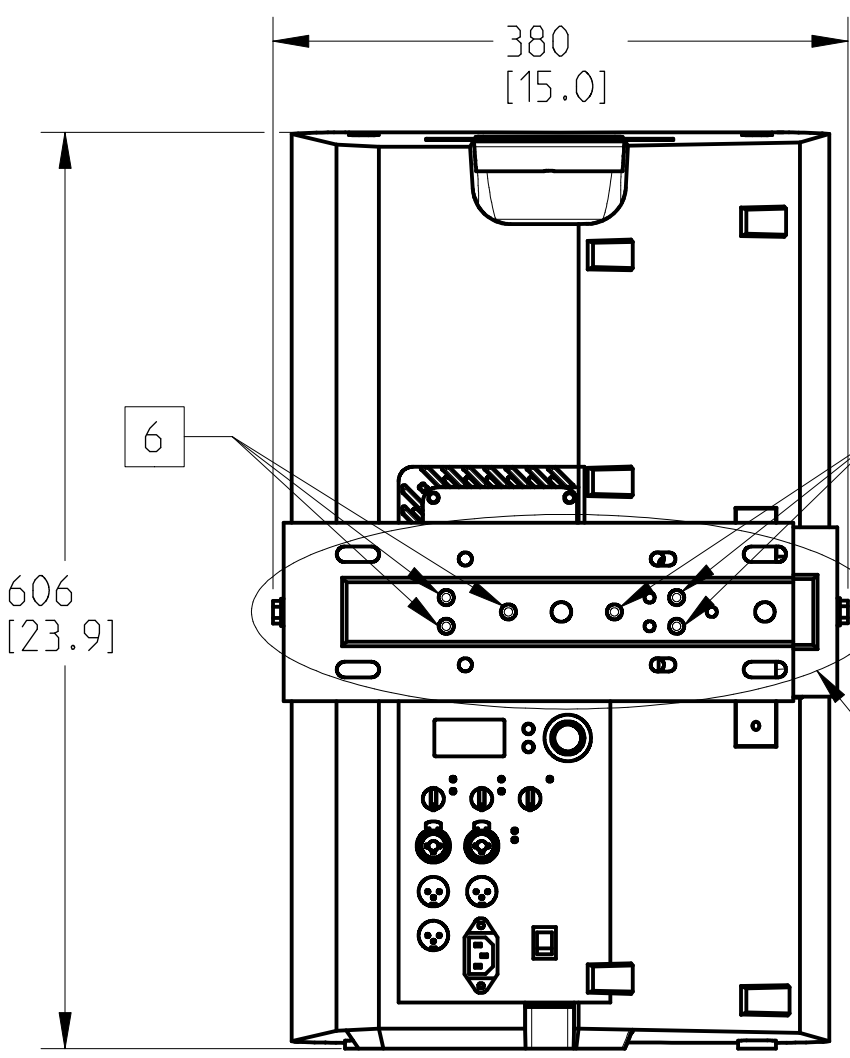
REVISIONS			
REV	DESCRIPTION	BY	DATE
A	RELEASE FOR SALES AND MARKETING	ES	25-APR-17



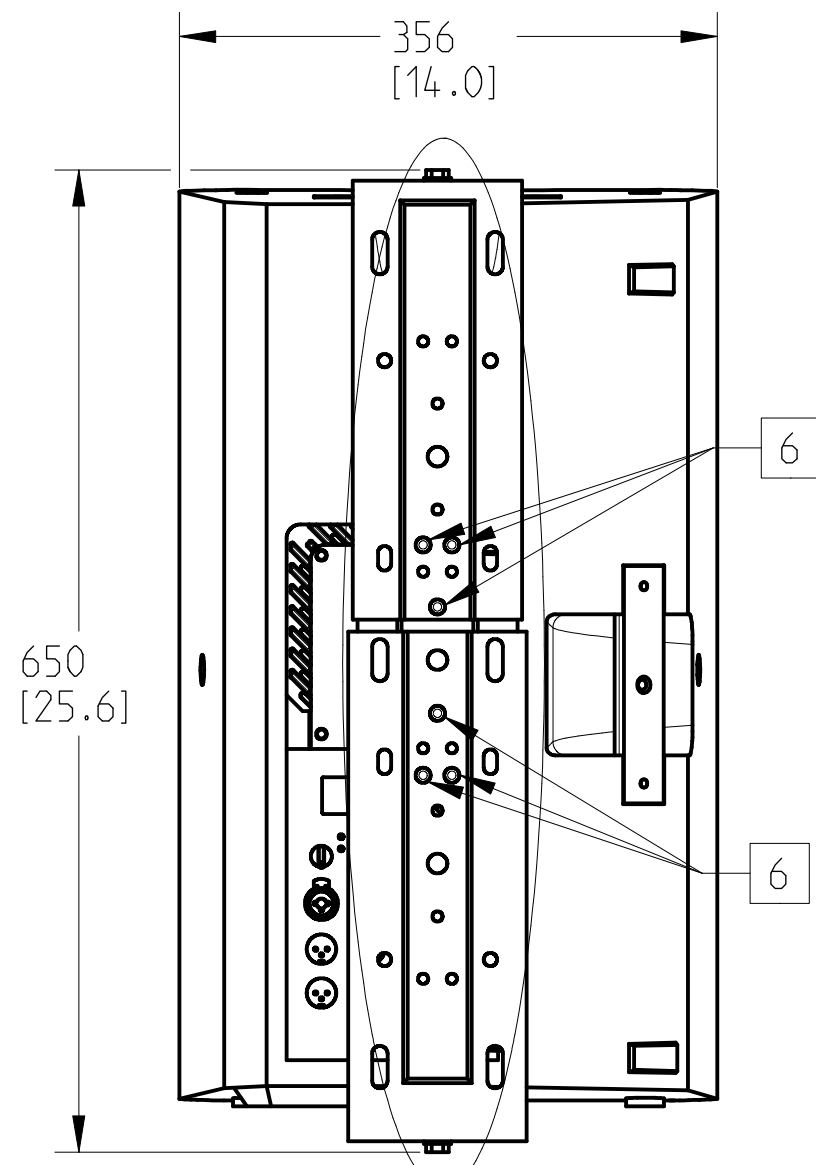
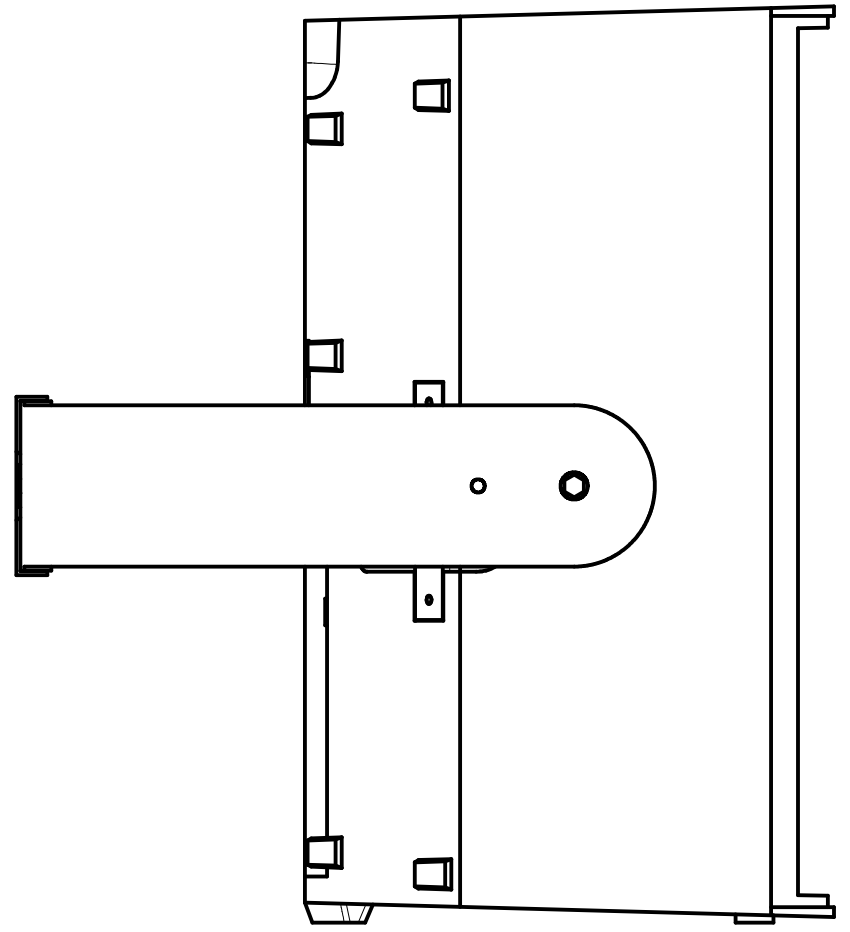
SCALE 0.150



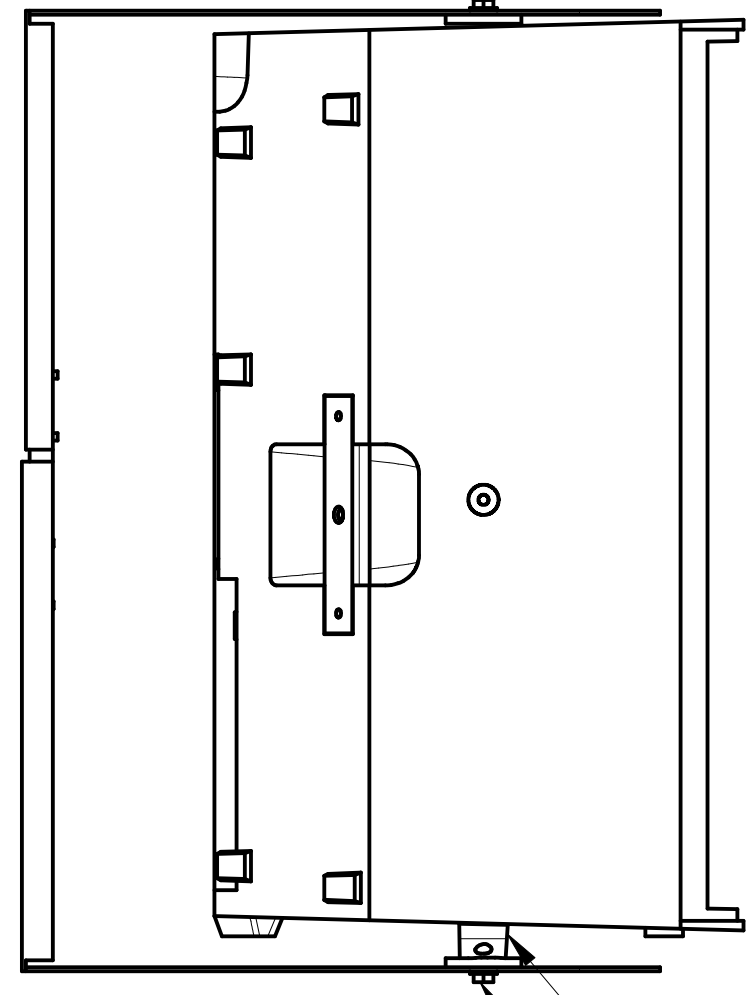
SCALE 0.150



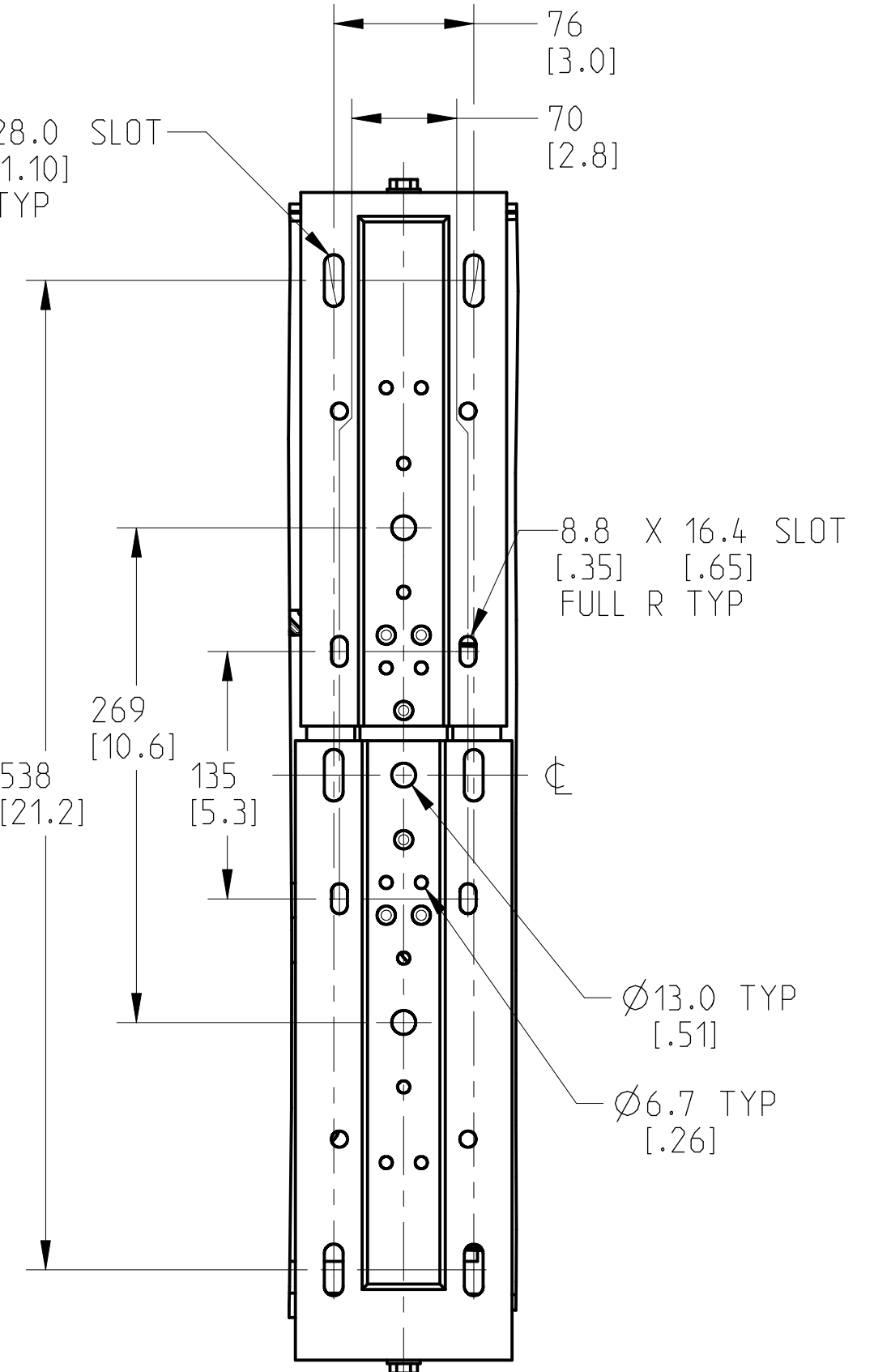
SEE DETAIL A



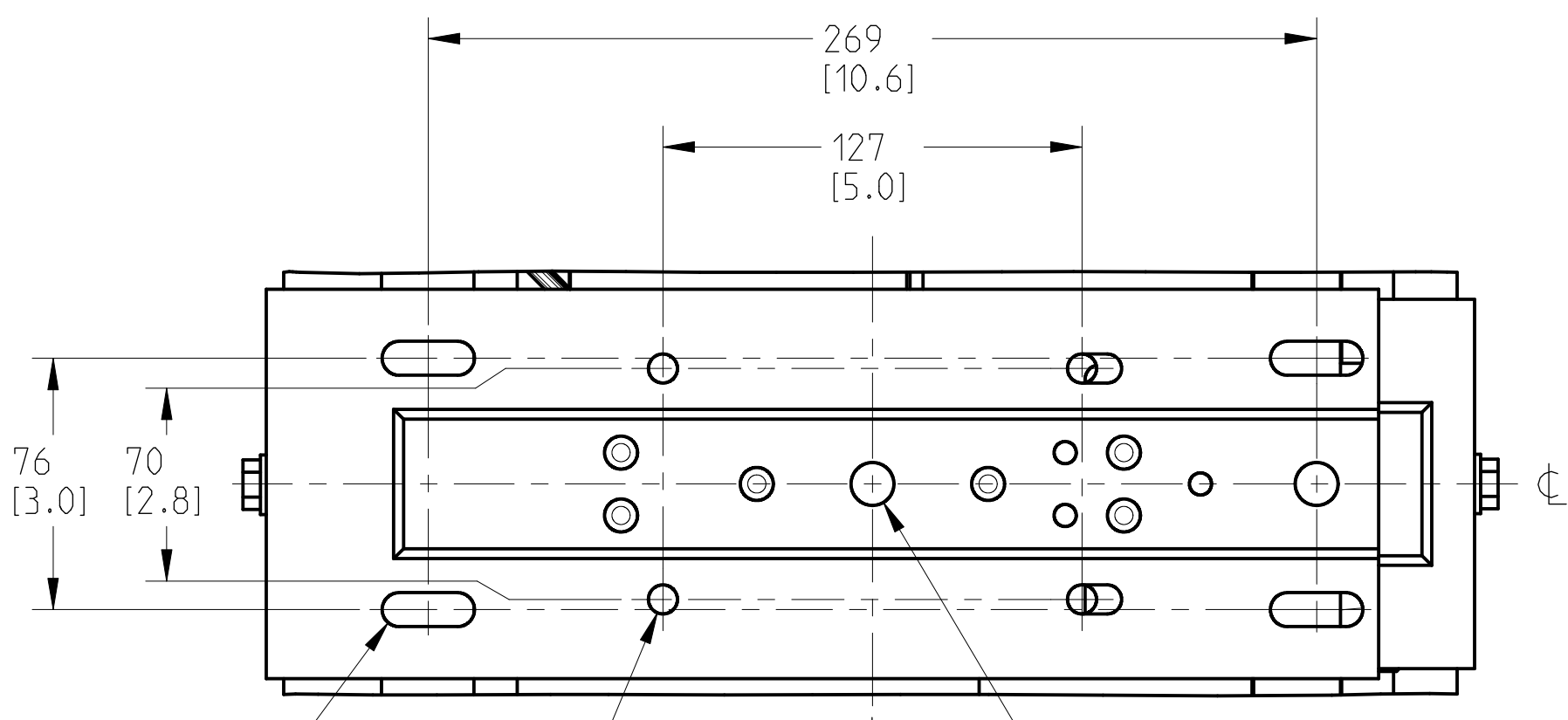
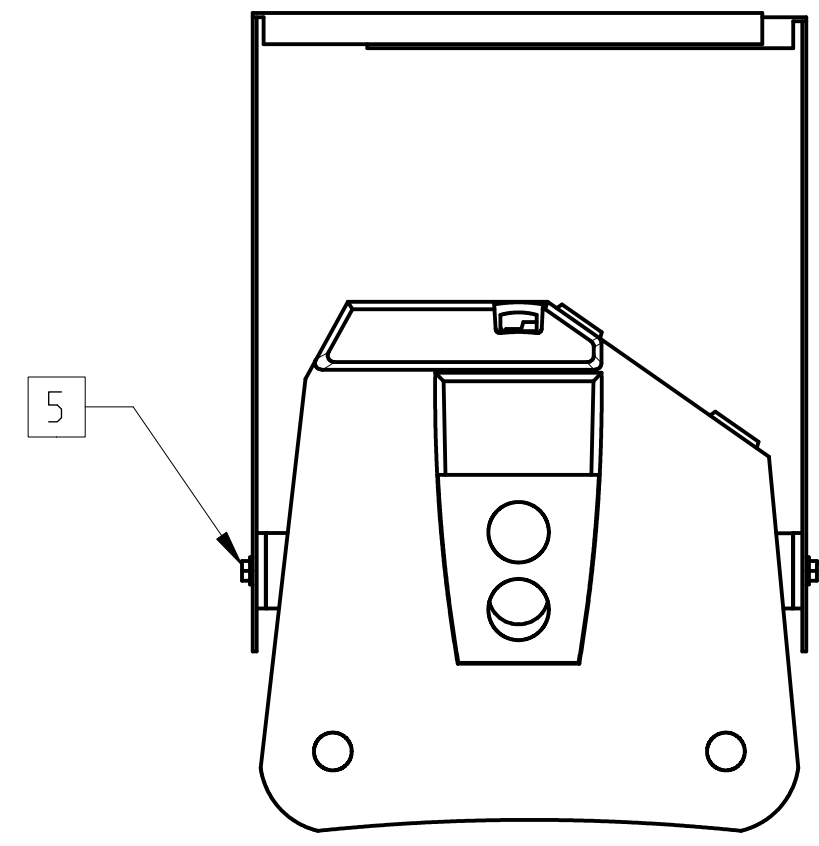
SEE DETAIL B



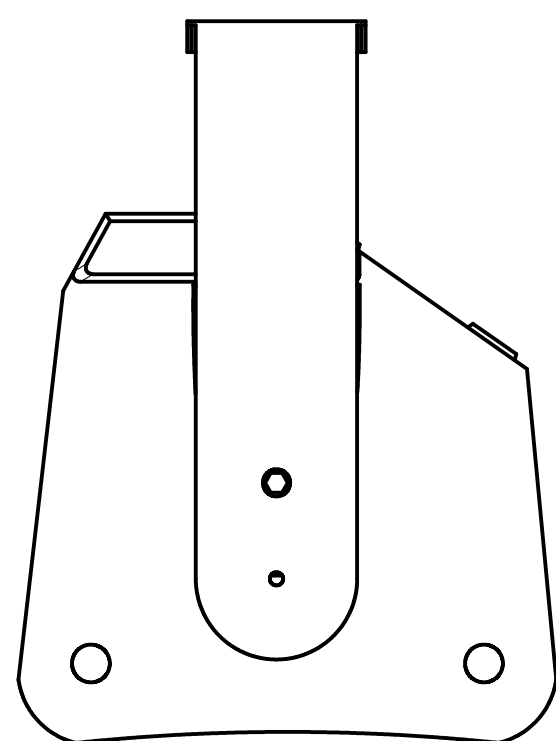
10.3 X 28.0 [1.41] [1.10] FULL R TYP



DETAIL B SCALE 0.300



DETAIL A SCALE 0.500



**FG-000988-3DH
HORIZONTAL PLACEMENT**

**FG-000988-3DV
VERTICAL PLACEMENT**

- 8. PARTS ARE SYMMETRICAL ABOUT CENTER LINES UNLESS OTHERWISE NOTED.
- 7. INSTALL POLE CUP ADAPTER USING 2 CENTER SCREWS FROM THE SPEAKER POLE CUP.
- 6. ASSEMBLE THE YOKE MOUNT COMPONENTS USING M5 SCREWS AND NUTS, 6 PLACES.
- 5. YOKE MOUNT ATTACHMENT POINT, M8 THREAD, 2 PLACES.
- 4. THE SPEAKER IS SHOWN FOR CLARITY, SPEAKER AND MOUNTING YOKE ARE SOLD SEPARATELY.
- 3. DIMENSIONS ARE IN MILLIMETERS [INCH].
- 2. TOLERANCES (MM): X ± 3, ANGLES: ± 1°.
- 1. NET WEIGHT APPROXIMATELY; 4.5 KG [9.9 LBS] (YOKE), 19.82 KG [43.7 LBS] (SPEAKER AND YOKE).

NOTES: UNLESS OTHERWISE SPECIFIED

UNLESS OTHERWISE SPECIFIED DIMENSIONS IN MILLIMETERS (IN) TOLERANCES ARE: DECIMALS .X±.5(-.02) .XX±.25(-.01) ANGLES ± 1/2 DECURR EDGES .25 (1.01) R MAX MATERIAL FINISH	DESIGNER ENG. SERVICES	QSC QSC, LLC 1675 MACARTHUR BOULEVARD COSTA MESA, CA 92626	ACCESSORY, K12.2 YOKE MOUNT, FINISHED	REV	
	ENGINEER			A	
	TECHNICAL DIRECTOR	SIZE D	CAGE CODE 00PW4	DRAWING NO. FG-000988-2D	SCALE 1 OF 1
	MANUFACTURING ENGINEER	DRAWING INFO: FG-000988-2D.A.1	SCALE: 0.200	DO NOT SCALE DRAWING	SHEET 1 OF 1