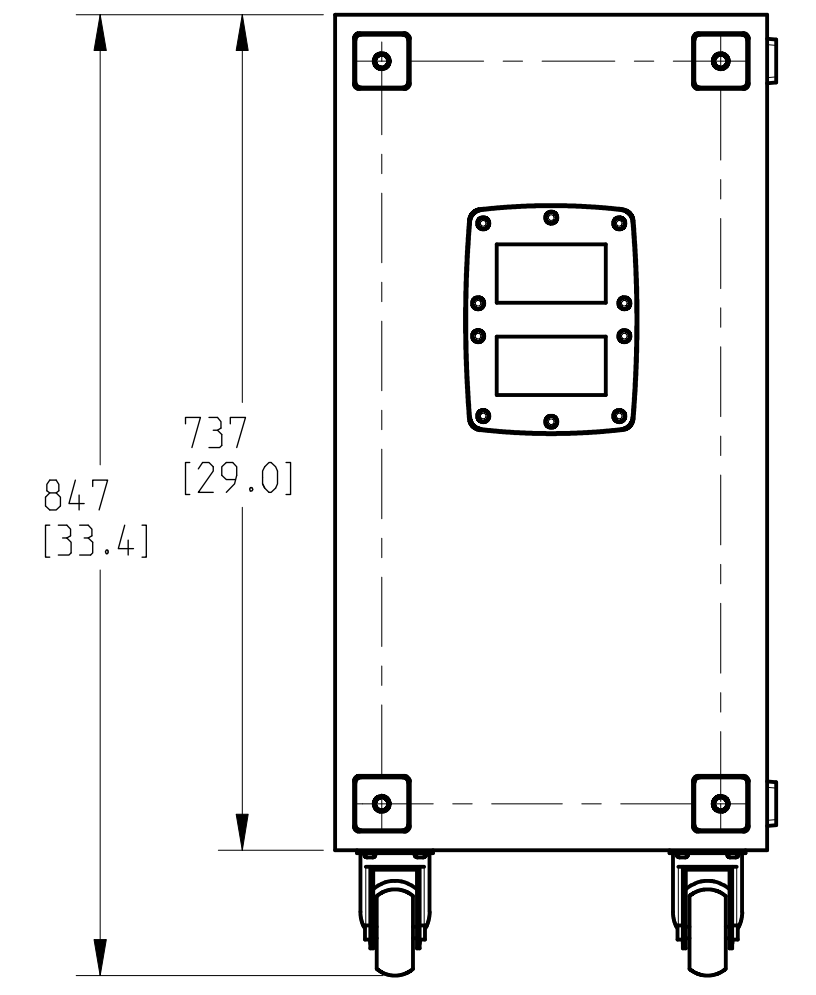
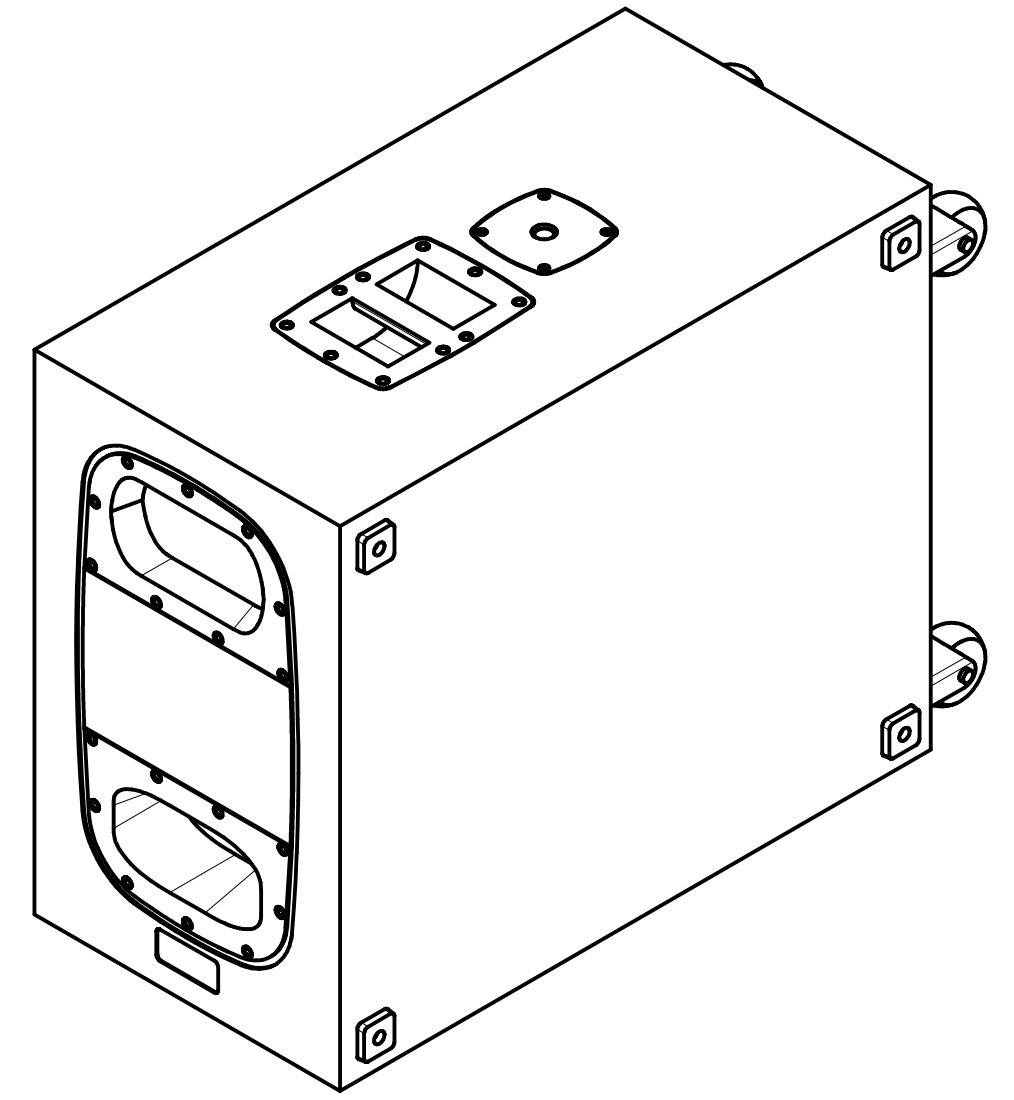
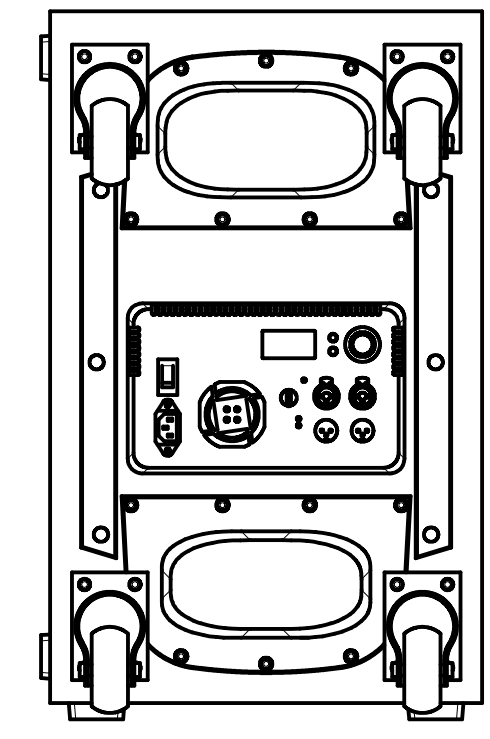
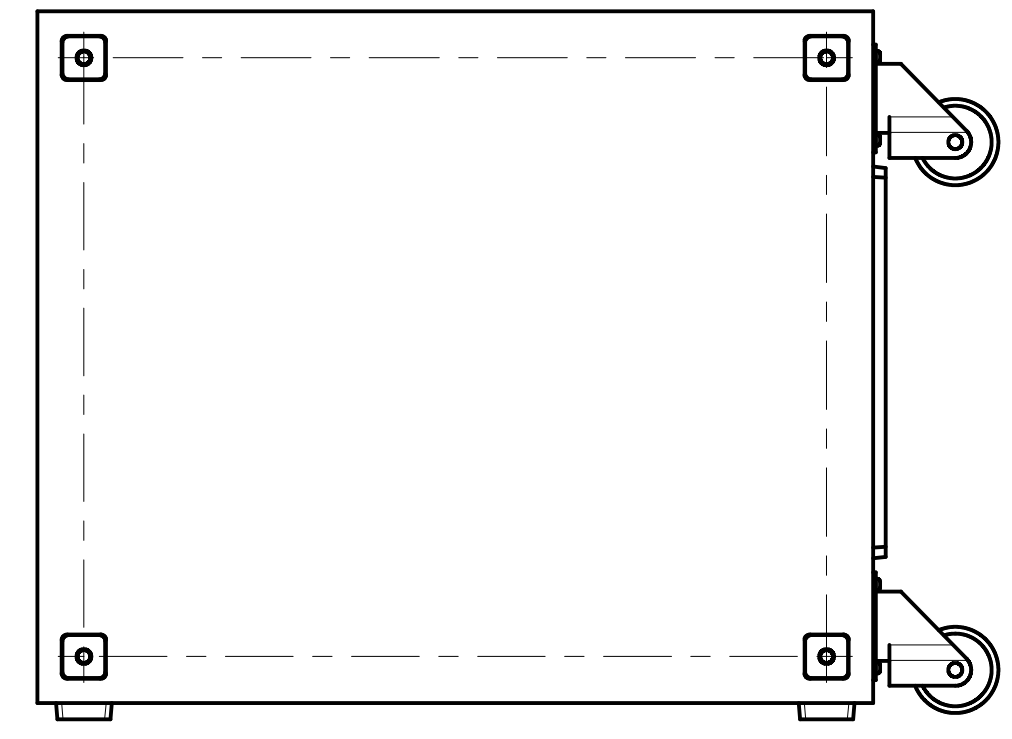
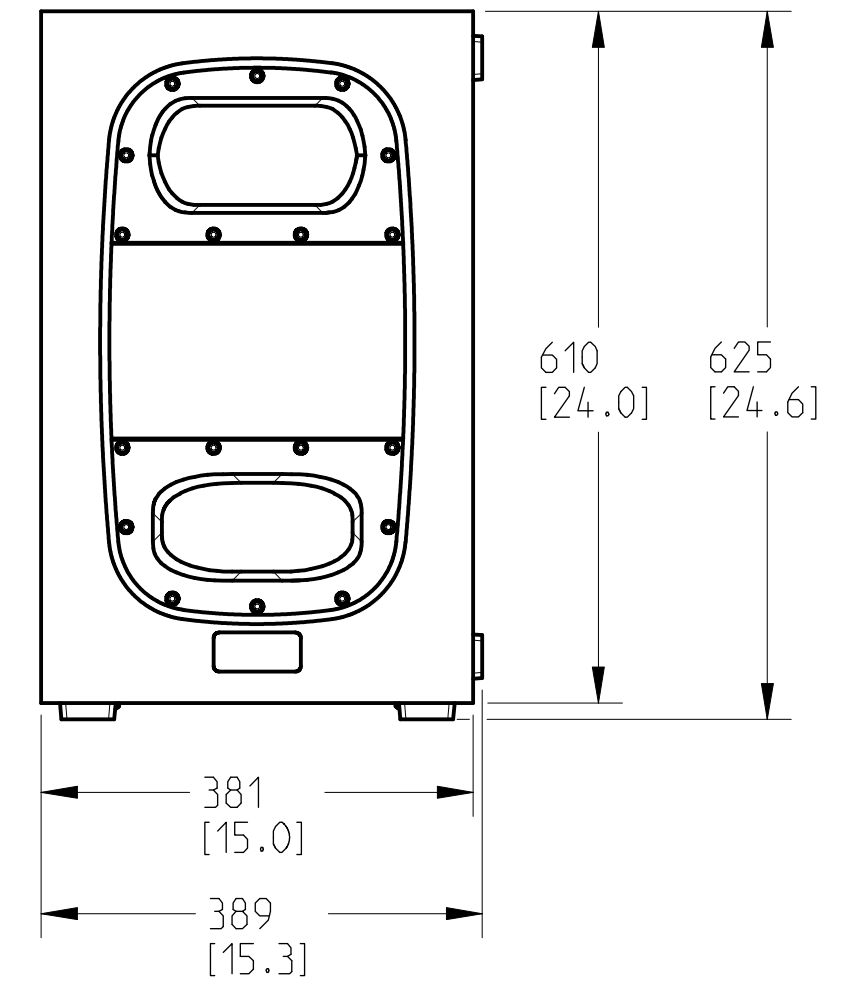
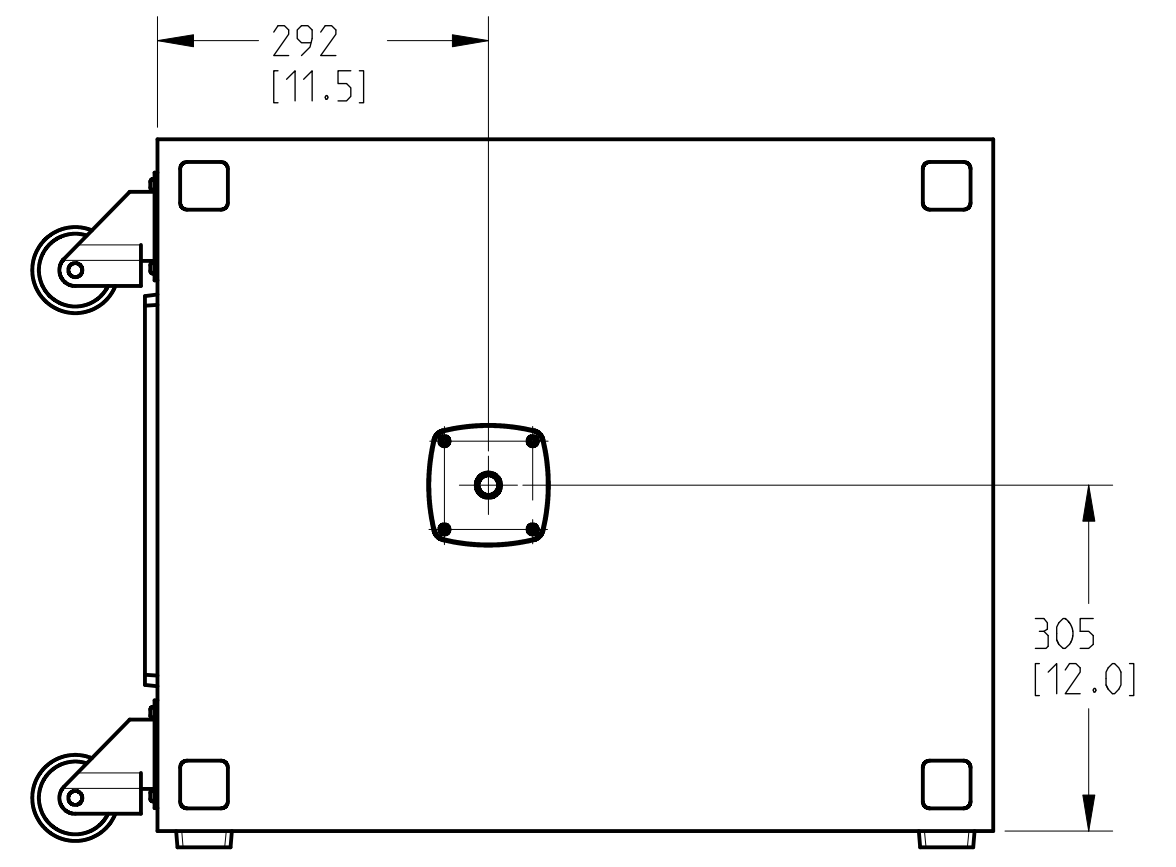
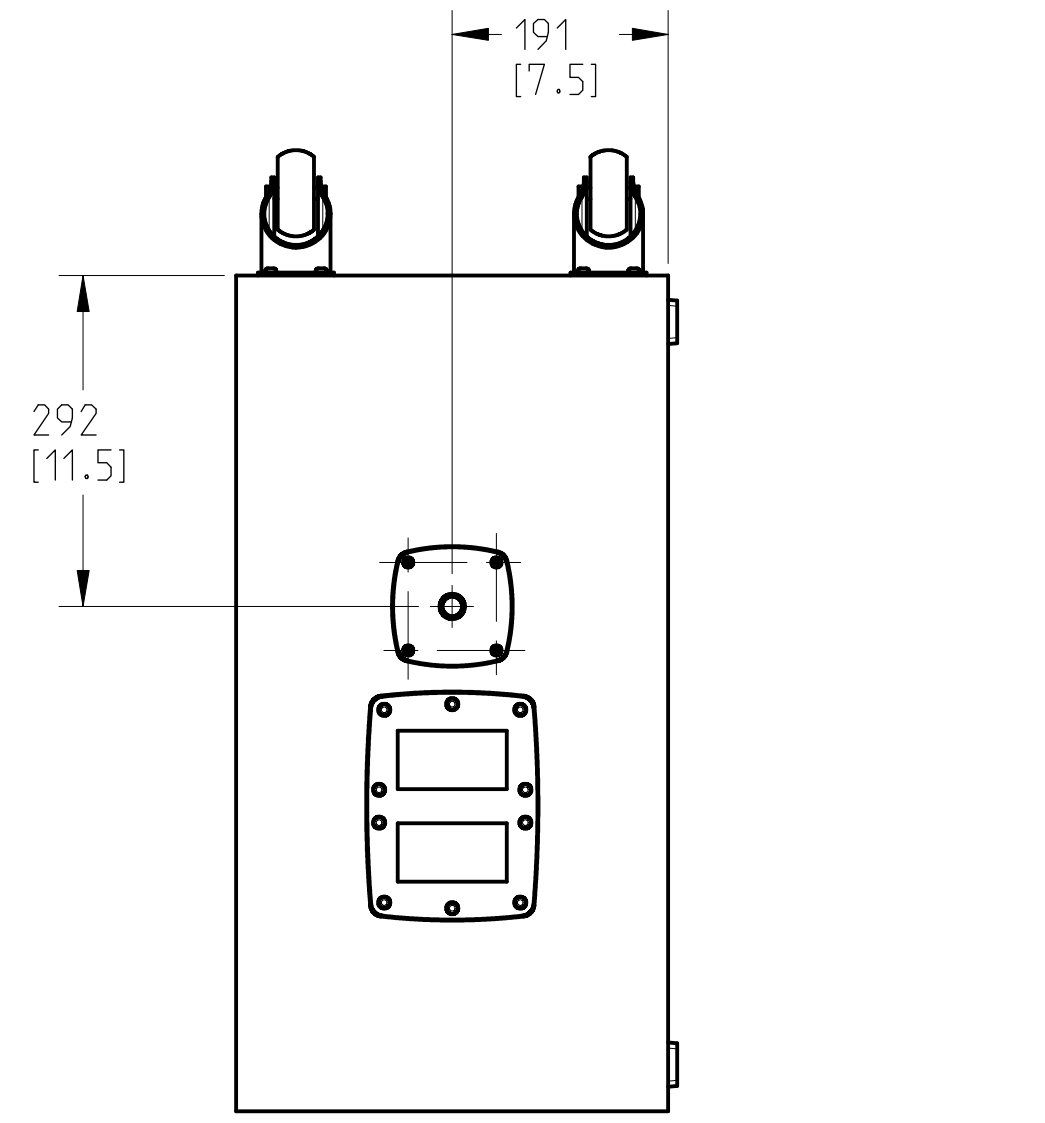


THIS DOCUMENT CONTAINS PROPRIETARY INFORMATION WHICH IS THE PROPERTY OF QSC, LLC. THAT MAY NOT BE DISCLOSED, REPRODUCED OR USED WITHOUT EXPRESS WRITTEN CONSENT FROM QSC, LLC.

REVISIONS			
REV	DESCRIPTION	BY	DATE
A	RELEASE FOR SALES AND MARKETING	ES	31-JUL-17

In Work



- 4. SYMBOL © INDICATES POLE MOUNT LOCATION.
- 3. DIMENSIONS ARE IN MILLIMETERS [INCH].
- 2. TOLERANCES (MM): X ± 3, ANGLES: ± 1°.
- 1. NET WEIGHT APPROX. 40.4 KG [89 LBS].

NOTES: UNLESS OTHERWISE SPECIFIED

UNLESS OTHERWISE SPECIFIED DIMENSIONS IN MILLIMETERS (IN) TOLERANCES ARE: DECIMALS .XX ± .02 ANGLES ± 1/2 DECURR EDGES .25 (1.01) R MAX MATERIAL FINISH	DESIGNER ENG. SERVICES	QSC, LLC 1675 MACARTHUR BOULEVARD COSTA MESA, CA 92626	FINISHED, SPEAKER, KS212C		
	ENGINEER		SIZE D	CAGE CODE 00PW4	DRAWING NO. FG-200025-2D
	TECHNICAL DIRECTOR		SCALE: 0.150	DO NOT SCALE DRAWING	SHEET 1 OF 1
	MANUFACTURING ENGINEER		DRAWING INFO: FG-200025-2D.A.1	MODEL INFO: FG-200025-3D.A.1	REV A