

eCOMPACT4BT

ANALOGUE PREAMPLIFIERS & MIXERS

4-channel Bluetooth® mixer



PRODUCT OVERVIEW

eCOMPACT4BT is a desktop and 19" rackmount 4-channel mixer with Bluetooth® for professional installation. Simple to operate, suitable for both experienced and novice users.

Features 4 microphone inputs, 6 stereo line inputs, USB charging port, Bluetooth® wireless connection and a mini-jack input for external devices. All microphone inputs have a switchable high-pass filter. 3-band tone control and ALT Send (sub-mix channel) on all channels.

Balanced main output (XLR connector), SUB OUT output for sub bass (XLR connector) and alternative ALT output (RCA connector). Stereo/mono switch for main output, allowing various configurations: 2 stereo outputs (MAIN and ALT) or 2 mono outputs (MAIN) and one stereo output (ALT), plus one mono output (SUB). The SUB OUT also features a low-pass filter for connecting a subwoofer or using it as a monitor output (filter disabled).

One channel Talkover function for front panel microphone input (48 V phantom power available for all microphone inputs), and front panel mini-jack headphone output.

KEY FEATURES

- 4-channel analogue mixer, one channel with adjustable Talkover
- Desktop or 19" rack installation
- 4 microphone inputs, one with combo connector (front panel)
- 48 V phantom power for microphone inputs (rear panel selector)
- 6 RCA stereo line inputs, and one stereo mini-jack line input on front panel
- Class 1 Bluetooth® wireless connection (up to 25 m range under ideal conditions)
- Source selector on each channel
- Selectable high-pass filter for MIC inputs ($f_c = 100$ Hz)
- 3-band tone control (treble, midrange and bass)
- Input signal presence and overload indicators
- 45 mm faders
- ALT OUT send per channel. Sub-mix available
- USB port for charging mobile devices
- Balanced main output (MAIN OUT), XLR connector
- Stereo/mono switch for main output
- Signal indicators (LED) with measured output signal selector (MAIN OUT or ALT OUT)
- Unbalanced alternative or sub-mix output (ALT OUT), RCA connector
- Sub-bass or auxiliary output (SUB OUT), XLR connector. Mono sum of the main output signal
- Low-pass filter available on SUB OUT ($f_c = 150$ Hz)
- Front panel headphone output, mini-jack
- 3URMKIT included (rack-mount accessory)

APPLICATIONS

- Pubs
- Night Clubs
- Retail Shops
- Fitness Centres

TECHNICAL SPECIFICATIONS

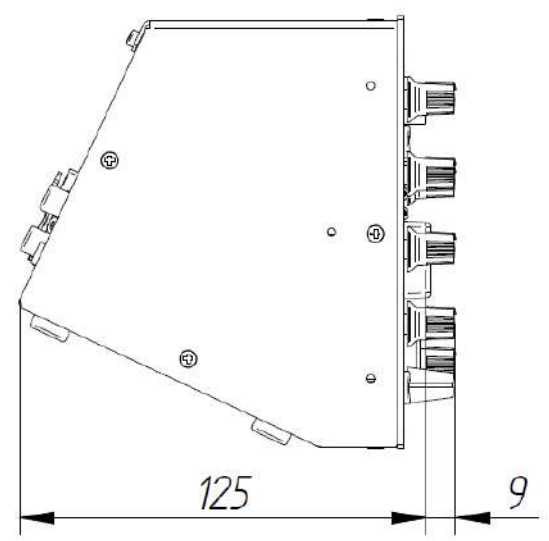
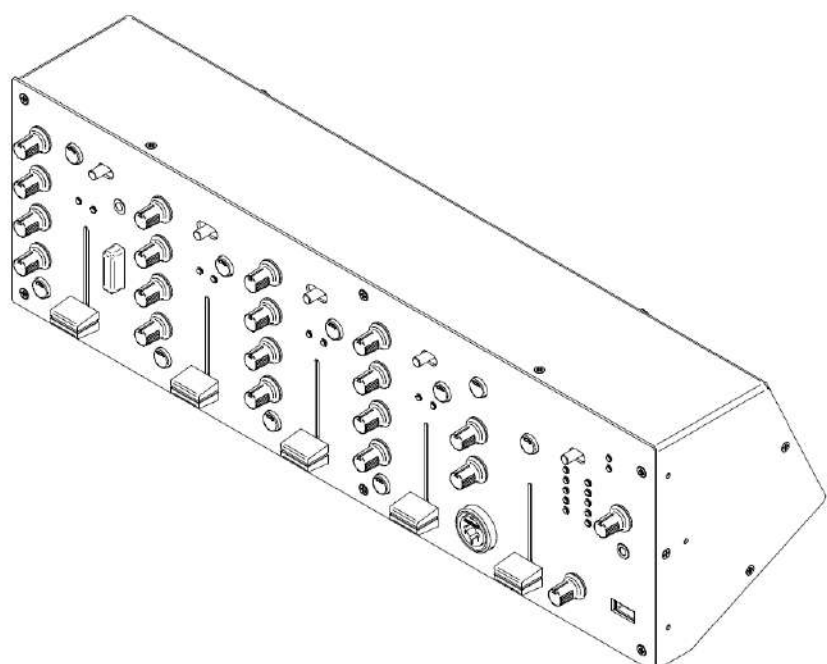
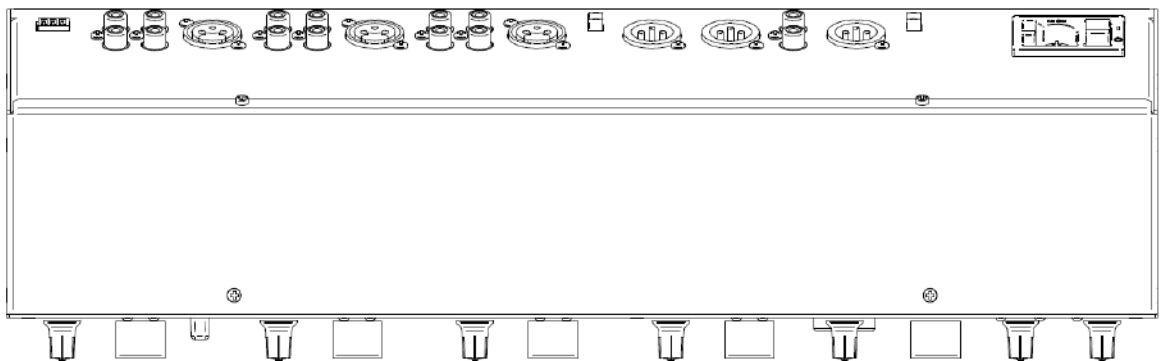
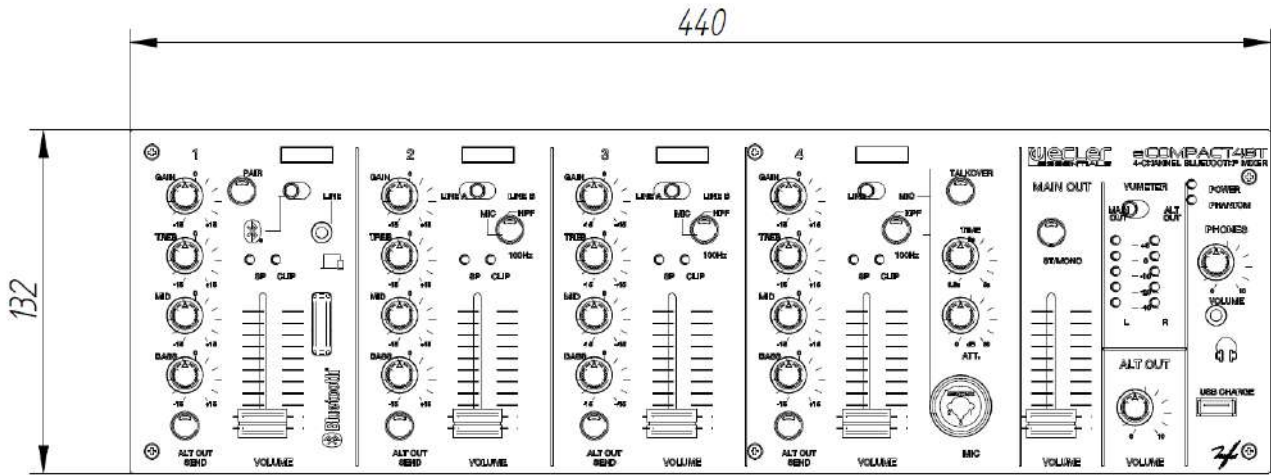
eCOMPACT4BT

Input Sensitivity and Input Impedance	
LINE, LINE A, LINE B	0dBV/50k Ω
MICRO (BAL)	-35dBV/>1k Ω
AUX INPUT IN1	-10dBV/316 Ω
BT INPUT	-10dBVFS
Frequency Response	
LINE, LINE A, LINE B	10Hz÷30kHz, -1dB
MICRO (BAL)	10Hz÷30kHz, -1dB
AUX INPUT IN1	10Hz÷30kHz, -1dB
BT INPUT	10Hz÷30kHz, -1dB
Input Selector	
INPUT 1	BT, LINE + AUX
INPUT 2	LINE A, MICRO, LINE B
INPUT 3	LINE A, MICRO, LINE B
INPUT 4 (TALKOVER)	LINE, MIC
Aux Input (on INPUT 1)	Connected to INPUT1 LINE
Gain control	
GAIN	\pm 15dB
Tone control	
BASS	100Hz, \pm 15dB
MID	2kHz, \pm 15dB
TREBLE	10kHz, \pm 15dB
THD+N	
LINE	<0,03%
MICRO	<0,06%
AUX	<0,03%
BT INPUT	<0,05%
Signal Noise Ratio	
LINE	>100dB
MICRO	>90dB
AUX INPUT IN1	>100dB
BT INPUT	>100dB
CMRR	
BAL INPUTS	>75dB @ 1kHz
MICRO 2-4 High Pass Filter	
	100Hz, -3dB – 2nd order
Outputs Level	
MAIN OUT	0dBV
SUB OUT	0dBV
ALT OUT	0dBV
HEADPHONES	200mW
Output VU-METER	
	+6dB to -40dB, MAIN OUT or ALT OUT selectable

STEREO / MONO		Functional only over MAIN OUT, SUB OUT and HEADPHONES
ALT OUT		Selectable by ALT OUT SEND buttons in each CHANNEL
SUB OUT low pass filter (externally selectable)		140Hz, -3dB – 3rd order
Talkover		
	TIME	0,3 / 3 seg
	ATT	0 / 30 dB
	SENSITIVITY	-20dB (Factory default) / -30dB (internally selectable)
	LED INDICATOR	Orange when TLK TRIGGERED
Signal Present indicators		
	LINE	-40dB
	MICRO	-75dB
Clip indicators (inputs)		+16dB
Phantom voltage (externally selectable)		+48VDC
USB port		+5VDC, only for charging
RS232 port		Only for configuration purposes
BT PAIR Button		Only for UNPAIRING and configuration purposes
DC Power Supply		±17.5 VDC
Mains (with External Power Supply)		100-240VAC + External PSU 17,5VDC
Power consumption (with External Power Supply)		15W
Dimensions		
	Panel	440x132mm
	Depth	125mm
Weight		3,0kg

MECHANICAL DIAGRAM

Measurements indicated in mm.





All product characteristics are subject to variation due to production tolerances. **NEEC AUDIO BARCELONA S.L.** reserves the right to make changes or improvements in the design or manufacturing that may affect these product specifications.

For technical queries contact your supplier, distributor or complete the contact form on our website, in [Support / Technical requests](#).

Motors, 166-168 -08038 Barcelona - Spain-(+34) 932238403 | information@ecler.com | www.ecler.com